

1.1.2.3 Low Power Thermal Sensors

10mW to 50W

Features

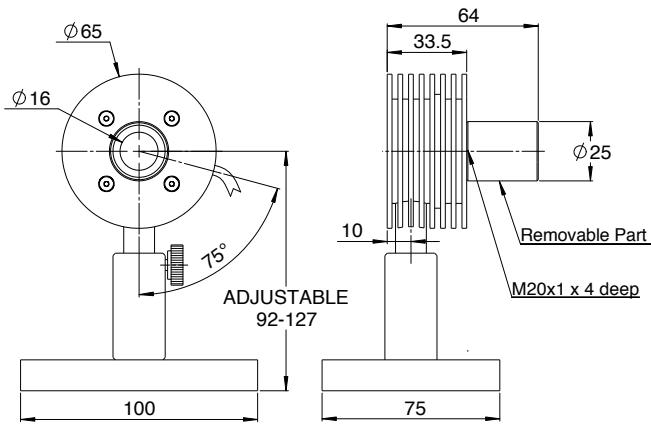
- Convection air cooled
- Broadband or Excimer absorbers
- Ø16mm to Ø26mm apertures
- Fast response time



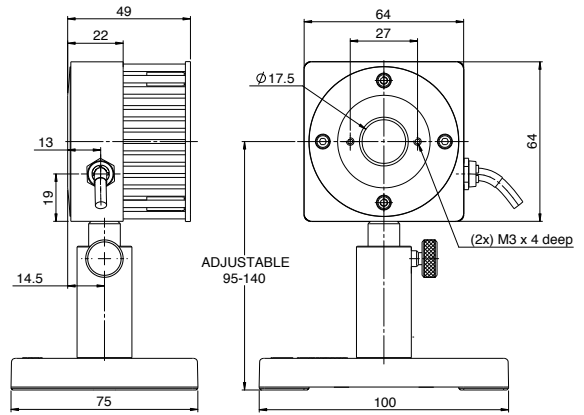
| Model | 10A-BB-16 | 30A-BB-18 | L30A-BB-26-10MM / L30A-EX-10MM | L30A-EX-10MM | 50(150)A-BB-26 |
|--|----------------------|------------------------|-----------------------------------|-----------------------------------|--|
| Use | Low power | General purpose | Thin profile | Thin profile Excimer | General purpose |
| Absorber Type | Broadband | Broadband | Broadband | EX | Broadband |
| Spectral Range μm | 0.19 - 11 | 0.19 - 11 | 0.19 - 11 | 0.15 - 0.7, 10.6 | 0.19 - 11 |
| Aperture mm | Ø16mm | Ø17.5mm | Ø26mm | Ø26mm | Ø26mm |
| Power Mode | | | | | |
| Power Range | 10mW - 10W | 10mW - 30W | 80mW - 30W | 80mW - 30W | 40mW - 150W |
| Maximum Power Intermittent | N.A. | N.A. | 8W free standing, 30W heat sunked | 8W free standing, 30W heat sunked | 150W for 1.5min, 100W for 2.2min, 50W continuous |
| Power Scales | 10W / 5W / 0.5W | 30W / 5W / 0.5W | 30W / 3W | 30W / 5W | 150W / 50W / 5W |
| Power Noise Level | 0.2mW | 0.5mW | 4mW | 4mW | 2mW |
| Maximum Average Power Density kW/cm ² | 28 | 20 at 30W 28 at 10W | 20 at 30W 28 at 10W | 1.5 | 12 at 150W 17 at 50W |
| Response Time with Meter (0-95%) typ. s | 0.8 | 0.8 | 1.5 | 1.5 | 1.5 |
| Calibration Uncertainty $\pm\%$ | 1.9 | 1.9 | 1.9 | 1.9 | 1.9 |
| Power Accuracy $\pm\%$ | 3 ^(a) | 3 ^(a) | 3 ^(a) | 3 | 3 ^(a) |
| Linearity with Power $\pm\%$ | 1 | 1 | 1 | 1 | 1.5 |
| Energy Mode | | | | | |
| Energy Range | 6mJ - 2J | 6mJ - 30J | 20mJ - 60J | 20mJ - 30J | 20mJ - 100J |
| Energy Scales | 2J / 200mJ | 30J / 3J / 300mJ | 60J / 20J / 2J / 200mJ | 30J / 3J / 300mJ | 100J / 30J / 3J / 300mJ |
| Minimum Energy mJ | 6 | 6 | 20 | 20 | 20 |
| Maximum Energy Density J/cm ² | | | | | |
| <100ns | 0.3 | 0.3 | 0.3 | 0.5 | 0.3 |
| 0.5ms | 2 | 2 | 5 | 6 | 5 |
| 2ms | 2 | 2 | 10 | 12 | 10 |
| 10ms | 2 | 2 | 30 | 25 | 30 |
| Cooling | convection | convection | convection / conduction | convection / conduction | convection |
| Fiber Adapters Available (see page 118) | ST, FC, SMA, SC | ST, FC, SMA, SC | NA | NA | ST, FC, SMA, SC |
| Weight kg | 0.2 | 0.3 | 0.1 | 0.1 | 0.3 |
| Compliance | CE, UKCA, China RoHS | CE, UKCA, China RoHS | CE, UKCA, China RoHS | CE, UKCA, China RoHS | CE, UKCA, China RoHS |
| Version | V2 | V1 | V1 | | V1 |
| Part number: Standard Sensor | 7Z07128 | 7Z07124 | 7Z07130 | 7Z02686 | 7Z07123 |
| BeamTrack Sensor: Beam Position & Size (p. 55/62) | 7Z07905 | | | | 7Z07907 |
| Notes: (a) $\pm 4\%$. For wavelengths <240nm | | | | | |

* For drawings please see page 52

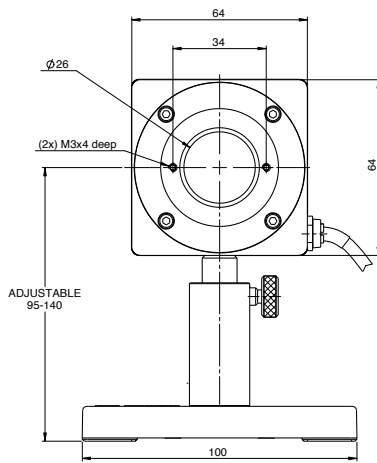
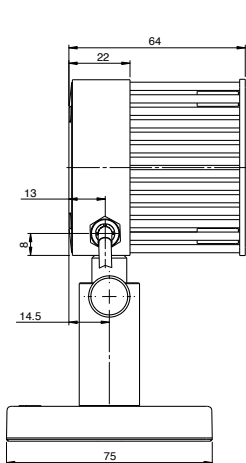
10A-BB-16



30A-BB-18



50(150)A-BB-26



L30A-BB-26-10MM / L30A-EX-10MM

