

# LightIR 10-135mm f/3.6 Motorized Continuous Zoom 680451

NEW



MWIR | ZOOM

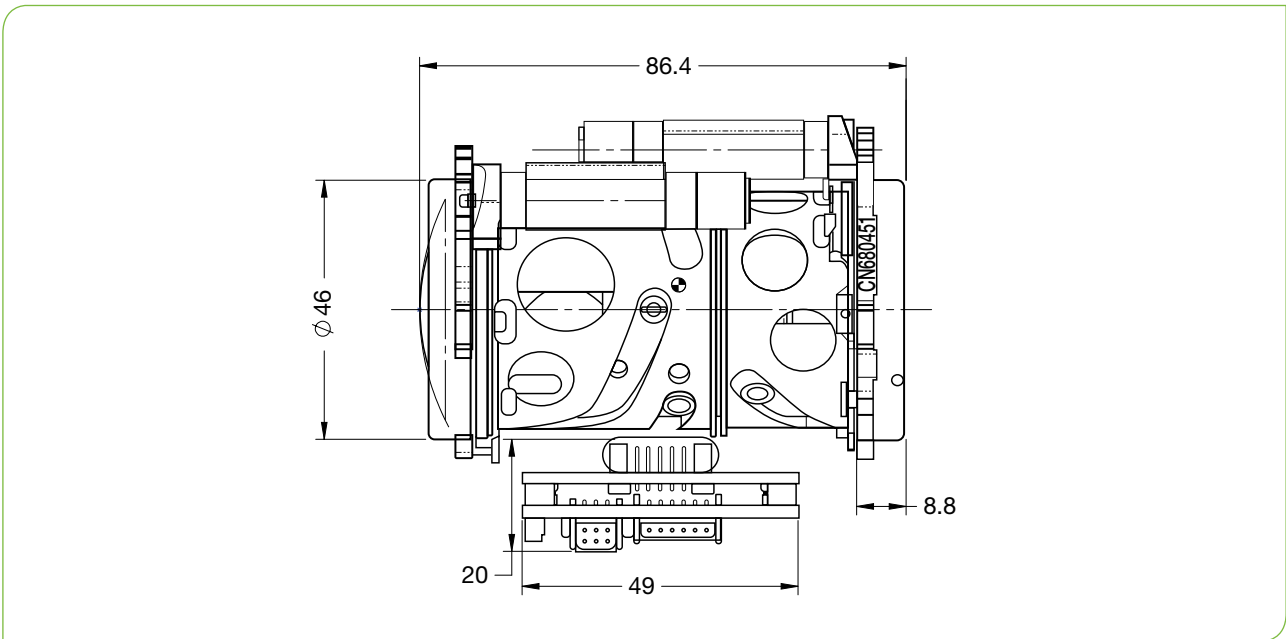
## WFOV (10mm)

HFOV	640x512
10μ	37.0°

## NFOV (135mm)

HFOV	640x512
10μ	2.67°

Property	Value	
<b>Optical</b>	<b>WFOV</b>	<b>NFOV</b>
Focal Length	10mm	135mm
F#	3.6	
Average transmission (3.4-4.2μm)	>87% (HD) / ≥80% (HC)	
Cold stop to FPA Distance	12mm	
Cold stop CA	ø12mm	
Back Focal Length	≥17mm in air	
Minimum Focusing Range	5m	50m
Nuc (by defocus)	Blur to 7mm diameter	
<b>Mechanical</b>		
Focus Mechanism	Motorized. Adjustable	
Focus Time (minimum range to ∞)	<1 sec.	
Zoom Time (NFOV to WFOV)	<4 sec.	
Max. Dimensions	Ø46x86.4mm	
Weight	250gr	



MWIR | ZOOM

Property	Value
<b>Electrical</b>	
Lens Control	Designated lens controller
Drive Voltage	12V
Current Consumption	< 0.5A average, 1.0A peak
Communication Protocol	RS422
<b>Environmental</b>	
Operation Temperature	-32°C to +75°C
Storage Temperature	-54°C to +85°C
Sealing	IP67 front lens only
<b>Configurations</b>	
680451-001	High Durability
680451-002	Hard Carbon

\* NOTE: The ICD drawing provided here is primarily a representation and may not accurately reflect the product's actual dimensions and specifications. For precise integration specifications contact your local sales representative.