

SupIR 60-1200mm f/4 Motorized Continuous Zoom 680475 / 680476

NEW

HD
FORMAT



WFOV (60mm)

HFOV	640x512
15μ	8.6°
10μ	-

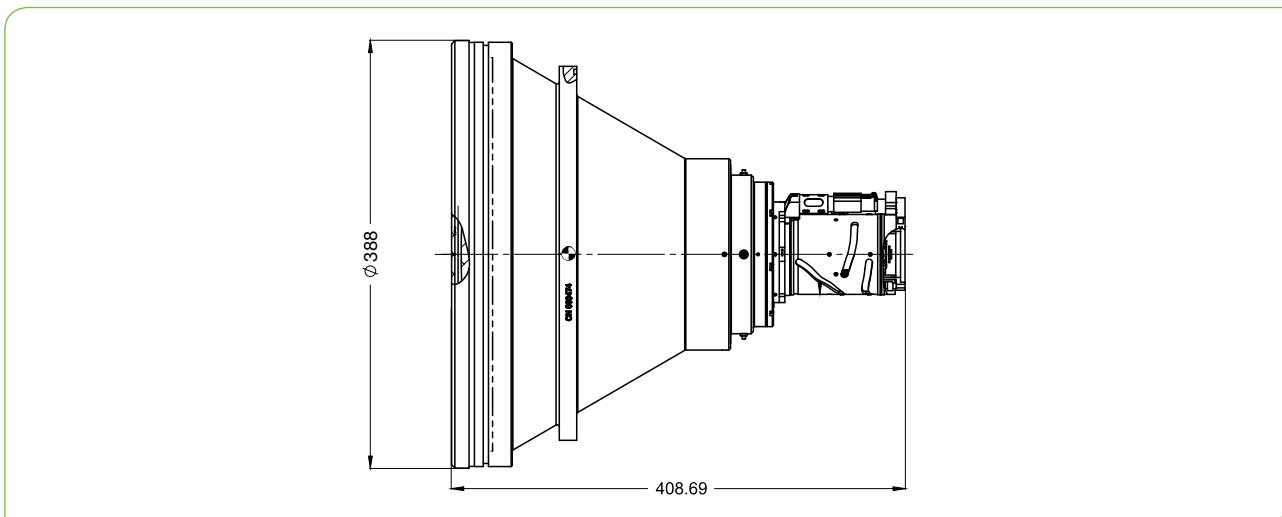
WFOV (100mm)

HFOV	640x512	1280x1024
15μ	5.3°	
10μ	-	6.8°

NFOV (1200mm)

HFOV	640x512	1280x1024
15μ	0.5°	
10μ	-	0.6°

Property	Value	
	WFOV	NFOV
Optical		
Focal Length	60	1200
F#	4	
Average transmission (3.4-5.0μm)	≥ 70% (LRHC)	
Cold stop to FPA Distance	19.4mm (680475) / 20.5mm (680476)	
Cold Stop CA	4.85mm (680475) / 5.125mm (680476)	
Back Focal Length	23.3mm in air (680475) / 26.2mm in air (680476)	
Minimum Focusing Range	<5m	<200m
Nuc (by defocus)	Yes	
Mechanical		
Focus Mechanism	Motorized	
Focus Time (minimum range to ∞)	≤1 sec.	
Zoom mechanism	Motorized	
Zoom Time (NFOV to WFOV)	≤ 8 sec at -32°C; ≤ 5 sec. at T≥20°C (at max. speed)	
Max. Dimensions	Ø388mm x 409.2mm	
Weight	14.6kg	
Electrical		
Lens Control	Designated lens controller	
Drive Voltage	12V	
Current Consumption	0.5A average, 1.0A peak at T= -32°C; 0.2A average, 1.0A peak at T ≥ 20°C	



MWIR | ZOOM

Property		Value			
Electrical					
Communication Protocol		RS422			
Environmental					
Operation Temperature		-32°C to +75°C			
Storage Temperature		-54°C to +85°C			
Sealing		IP67 front element only			
Configurations	Description	FPA	Pixel Pitch	CSH	Coating
680475-001	60-1200mm	640x512	15μ	19.4mm	High Durability
680475-002					Low Reflection Hard Carbon**
680475-003	100-1200mm	1280x1024	10μ		High Durability
680475-004					Low Reflection Hard Carbon**
680475-005					Hard Carbon Hydrophobic
680475-006					High Durability Hydrophobic
680476-001	60-1200mm	640x512	15μ	20.5mm	High Durability
680476-002					Low Reflection Hard Carbon**
680476-003	100-1200mm	1280x1024	10μ		High Durability
680476-004					Low Reflection Hard Carbon**
680476-005					Hard Carbon Hydrophobic
680476-006					High Durability Hydrophobic

* NOTE: The ICD drawing provided here is primarily a representation and may not accurately reflect the product's actual dimensions and specifications. For precise integration specifications contact your local sales representative.

** For detailed LRHC coating specifications see page 13