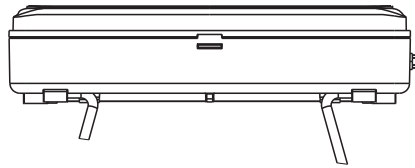
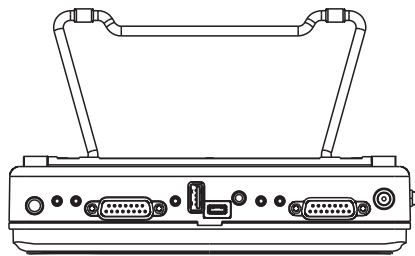
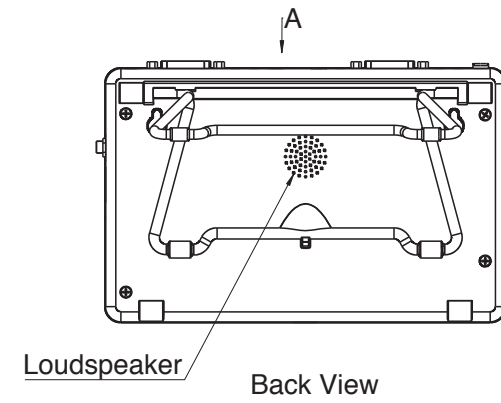
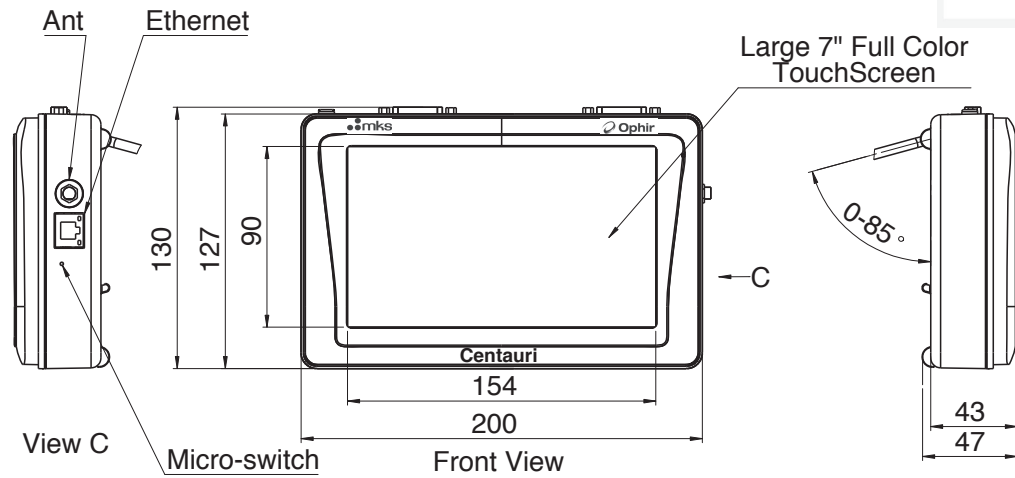
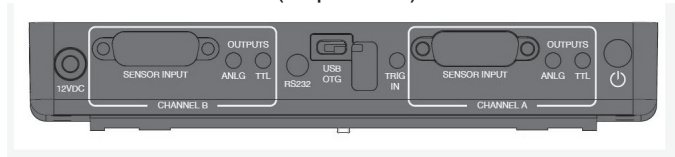


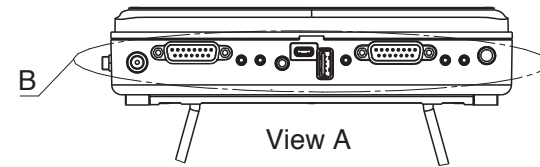
Bottom View



Detail B
(Top Panel)



Top View



View A