

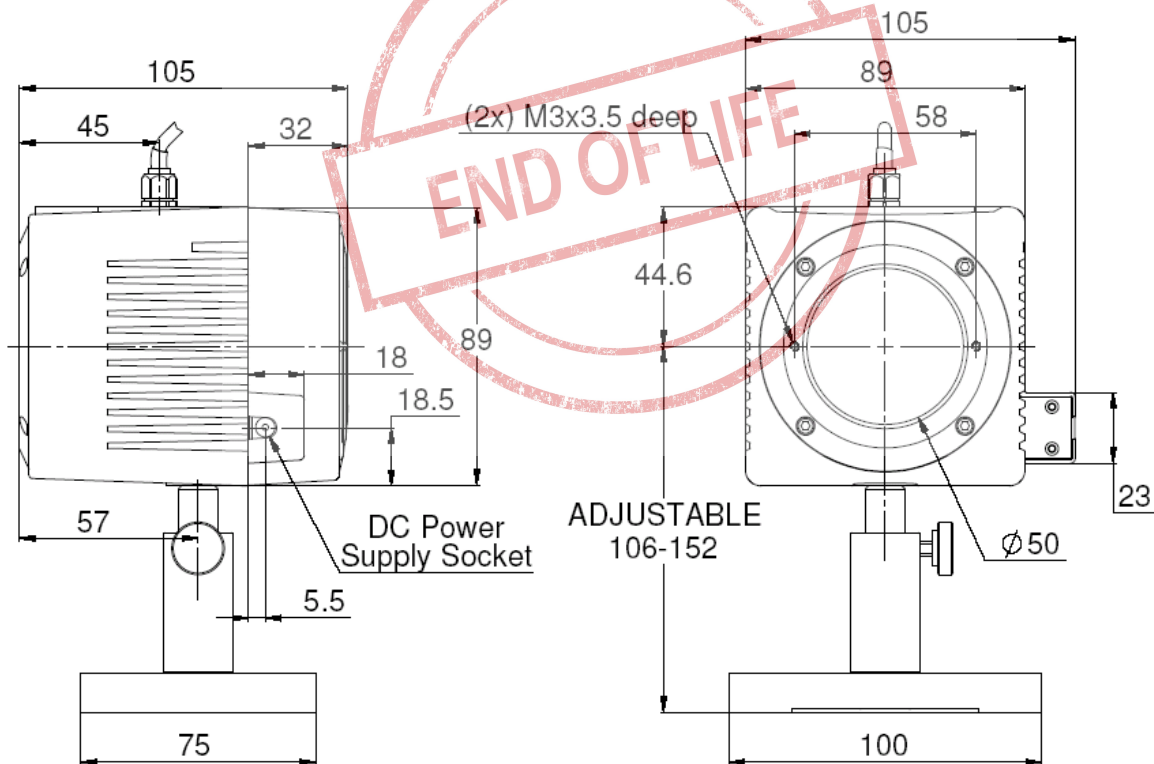
# FL300A-LP

CW & Average Power Measurements 200mW – 300W 50mJ to 300J

Recommended Use: High power and long pulse lasers

Special Features: High power density and high pulse energy density

Absorber:	LP: 0.4-1.5, 10.6 $\mu$ m
Aperture:	$\phi$ 50mm
Digital Power Scales:	300W/30W
Maximum Average Power:	300W
Maximum Average Power Density:	10KW/cm <sup>2</sup>
Power Noise Level:	10mW
Power Accuracy:	$\pm$ 3%
Response Time with Display (0 – 95%):	2.5s
Linearity with Power:	$\pm$ 2%
Energy Scales:	300J/30J/3J
Energy Threshold:	50mJ
Maximum Energy Density J/cm <sup>2</sup> at Full Power:	
<100ns	0.05
0.5ms	20
2ms	50
10ms	150
Cooling:	Fan



Ordering information		
Item	Description	Ophir P/N
FL300A-LP-SH-V1	Large aperture fan cooled 300W power/energy meter with damage resistant LP coating	7Z02673 (RoHS)

Rev1/spc/18.03.09/eg

Visit our website: [WWW.OPHIROPT.COM](http://WWW.OPHIROPT.COM)

