

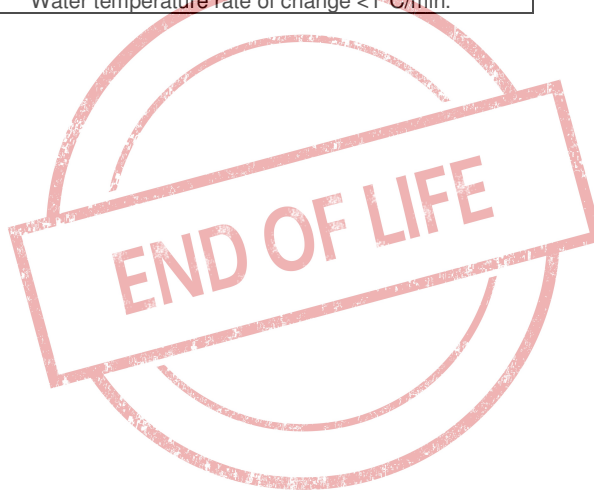
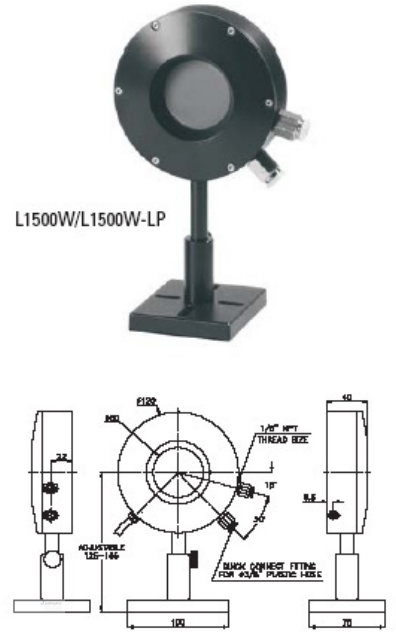
L1500W / L1500W-LP

CW & Pulsed measurements 20W – 1500W 500mJ – 200J

Recommended Use: High power and long pulse YAG, CO₂ and Diode lasers

Special Features: High power and energy density, large aperture

Absorber:	Broadband: 0.19 - 20 μ m, LP: 0.4 – 1.5 μ m, 10.6 μ m		
Aperture:	ϕ 50mm		
Digital Power Scales:	1500W / 300W		
Maximum Average Power Density:	BB: 5KW/cm ² , LP: 6KW/cm ²		
Maximum Energy Density (J/cm ²):	Broadband	LP	
	<100ns	0.3	0.05
	1 μ s	0.5	0.3
	0.5ms	5	20
	2ms	10	50
10ms	30	150	
Power Noise Level:	0.7W		
Power Accuracy:	\pm 5%		
Response Time with Display (0-95%):	2.7s		
Linearity with Power:	\pm 2%		
Energy Scales:	200J/20J		
Energy Threshold:	500mJ		
Surface Uniformity:	\pm 2.5%		
Cooling:	Water – 2.5 liter / minute (minimum)		
	Water temperature range 18 – 30°C		
	Water temperature rate of change <1°C/min.		



Ordering information		
Item	Description	Ophir P/N
L1500W	Water cooled 1500 Watt power/energy meter	1Z02660 / 7Z02660 (RoHS)
L1500W-LP	Water cooled 1500 Watt power/energy meter with damage resistant LP coating	1Z02082 / 7Z02082 (RoHS)

Rev6/spc/24.03.09/eg

Visit our website: WWW.OPHIROPT.COM

