

# L30A-EX

**CW & Pulsed Measurements 80mW -30W 20mJ - 30J**

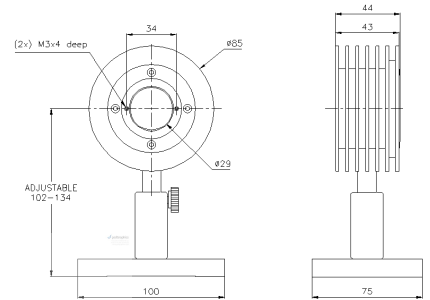
Recommended Use: Medium aperture excimer lasers Cu vapor lasers, TEA lasers

Special Features: Sensitive, spectrally flat in the UV, compact

Absorber:	EX absorber: 0.15 – 0.4µm, 10.6µm
Aperture:	φ 29mm
Digital Power Scales:	30W / 5W
Maximum Average Power Density:	2KW/cm <sup>2</sup>
Power Noise Level:	4mW
Power Accuracy:	±3%
Maximum Energy Density J/cm <sup>2</sup>	
<100ns	0.5
1µs	0.6
0.5ms	6
2ms	12
Response Time with Display (0-95%):	1.5s
Linearity with Power:	± 1% to 15W, ±1.5% to 25W
Energy Scales:	30J / 3J / 300mJ
Energy Threshold:	20mJ
Cooling:	Convection



L30A-EX



Ordering information		
Item	Description	Ophir P/N
L30A-EX	Medium aperture 30 Watt excimer power/energy meter	1Z02194 / 7Z02194 (RoHS)

Rev 4/spc/23.02.10/eg :

Visit our website: [WWW.OPHIROPT.COM](http://WWW.OPHIROPT.COM)

