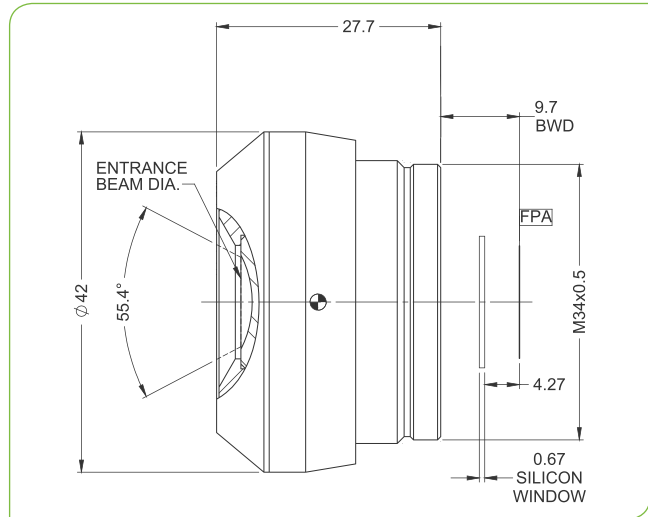


# SupIR 14.25mm f/1.2, Fixed Athermalized 65183

TYPICAL ICD\*



**HD  
FORMAT**



	HFOV	320x240	384x288	640x480	1024x768
<b>25μ</b>		32.3°	38.8°		
<b>17μ</b>		21.9°	26.3°	44.0°	
<b>12μ</b>		15.4°	18.5°	30.9°	49.8°

Property	Value				
<b>Optical</b>					
Focal Length	14.25mm				
F#	1.2				
Average transmission (8-12μm)	96% (HE) / 94% (HD)				
Back Focal Length	15.35mm in air				
<b>Mechanical</b>					
Focus Mechanism	Fixed Focus				
Depth of Field	15m to infinity				
Focus Range	0.6m to infinity				
Weight	see configuration table below				
Max. Dimensions	see configuration table below				
<b>Environmental</b>					
Operation Temperature	-40°C to +80°C				
Storage Temperature	-40°C to +90°C				
Sealing	IP 67 front element only				
<b>Configurations</b>	<b>Weight (gr)</b>	<b>Dimensions</b>	<b>BWD**</b>	<b>Thread</b>	<b>Coating</b>
65183-04	49	Ø42mm x 32.3mm	6.84	M34x0.5	HD
65183-05	57	Ø41.5mm x 24.2mm	15.4	M41x0.75	
65183-06	49	Ø42mm x 32.3mm	6.84	M34x0.5	HC
65183-13	44.5	Ø42mm x 27.7mm	9.7	M34x0.5	HC
65183-15					HC, MWIR block filter

\* The ICD drawing provided here is primarily a representation and may not accurately reflect the product's actual dimensions and specifications. For precise integration specifications contact your local sales representative.

\*\* The BWD value is calculated for a unique detector setup with varying sealing windows in terms of thickness and material. For more details, contact your local sales representative.