

# SupIR 19-275mm f/5.5, Motorized Continuous Zoom 65196\*

MWIR | ZOOM



### WFOV(19mm)

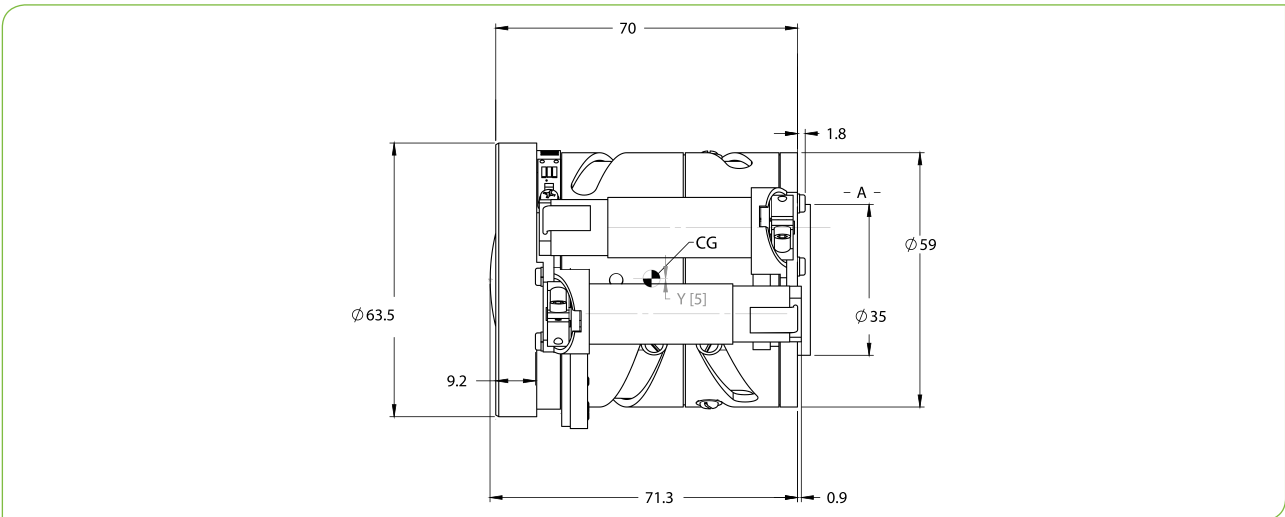
HFOV	640x512
15μ	29.8°

### NFOV(275mm)

HFOV	640x512
15μ	2.0°

Property	Value	
<b>Optical</b>	<b>WFOV</b>	<b>NFOV</b>
Focal Length	19mm	275mm
F/#	5.5	
Cold Stop to FPA Distance	19.7mm	
Cold Stop CA	Ø3.56mm	
Average Transmission (3.4-5.0μm)	81%(HC) / 87%(HD)	
Back Focal Length (Assuming 1.5mm Ge Window & Filter)	24.7mm in air	
Minimum Focus Range	5m	50m
Nuc (by defocus)	Yes	
<b>Mechanical</b>		
Focus Mechanism	Motorized Adjustable	
Focus Time (minimum range to ∞)	≤8 sec.	
Zoom Mechanism	Motorized Adjustable	
Zoom Time (NFOV to WFOV)	≤5 sec.	
Through zoom boresight	Within a radius of 0.15mm at the focal plane	
Weight	445gr	
Max. Dimensions	Ø63.5x74.3mm	

\* Requires export license



MWIR | ZOOM

Property	Value
<b>Electrical</b>	
Lens Control	Designated lens controller
Supply Voltage	12V
Current Consumption	0.2A average, 1.0A peak
Communication Protocol	RS422
<b>Environmental</b>	
Operating Temperature	-32°C to + 65°C
Storage Temperature	-40°C to + 71 °C
Sealing	IP 67 front element only
<b>Configurations</b>	
6519608	High Durability
6519634	Hard Carbon

\* NOTE: The ICD drawing provided here is primarily a representation and may not accurately reflect the product's actual dimensions and specifications. For precise integration specifications contact your local sales representative.