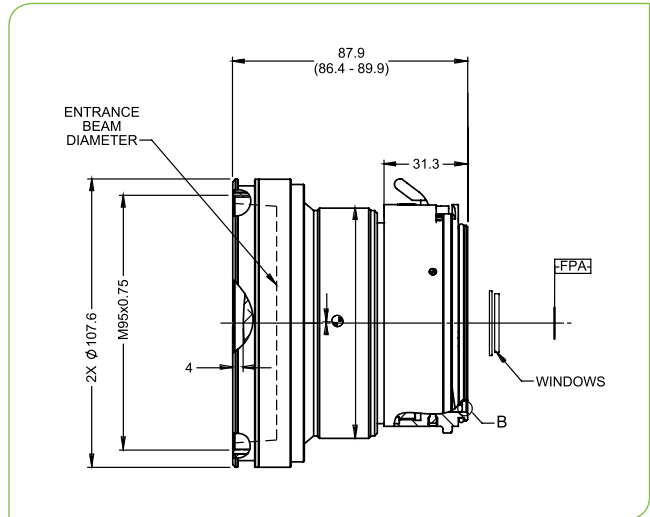


SupIR 75mm f/1.2, Manual Focus 680189

TYPICAL ICD*

NEW

**HD
FORMAT**



HFOV	320x240	384x288	640x480
15μ	7.2°		
10μ	4.8°	9.6°	
5μ			9.6°

Property	Value				
Optical					
Focal Length	75mm				
F#	1.2				
Average transmission (8-12μm)	95% (HD)				
Back Focal Length	44.05mm in air				
Mechanical					
Focus Mechanism	Manual				
Depth of Field	400m to infinity				
Focus Range	5m to infinity				
Weight	782gr				
Max. Dimensions	Ø107.6mm x 87.9mm				
Environmental					
Operation Temperature	-20°C to +55°C				
Storage Temperature	-40°C to +80°C				
Sealing	IP 65 front element only				
Configurations	Weight (gr)	Dimensions	BWD**	Thread	Coating
680189-001	782	Ø107.6mm X 87.9mm	32.4	Bayonet	HD

* The ICD drawing provided here is primarily a representation and may not accurately reflect the product's actual dimensions and specifications. For precise integration specifications contact your local sales representative.

** The BWD value is calculated for a unique detector setup with varying sealing windows in terms of thickness and material. For more details, contact your local sales representative.