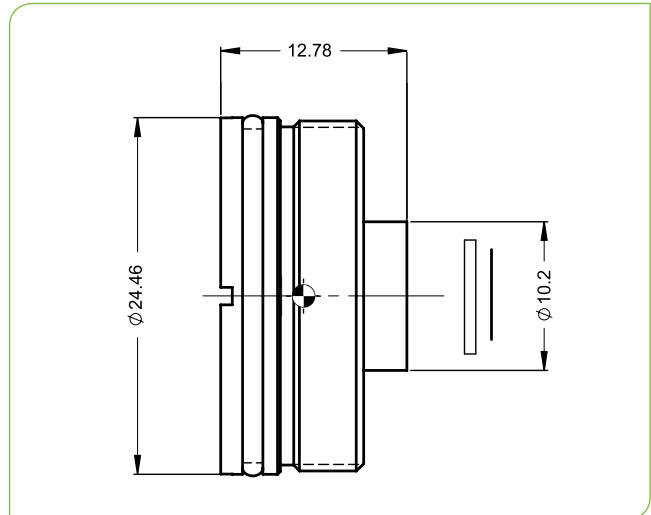


# SupIR 3.8mm f/1.4, Fixed Athermalized 680235

TYPICAL ICD\*



HFOV	320x240
17μ	89.9°
12μ	60.3°

Property	Value				
<b>Optical</b>					
Focal Length	3.8mm				
F#	1.4				
Average transmission (8-12μm)	95% (HD) / 90% (HC)				
Back Focal Length	5.5mm in air				
<b>Mechanical</b>					
Focus Mechanism	Fixed				
Depth of Field	1m to infinity				
Focus Range	0.1m to infinity				
Weight	see configurations table below				
Max. Dimensions	see configurations table below				
<b>Environmental</b>					
Operation Temperature	-40°C to +80°C				
Storage Temperature	-50°C to +85°C				
Sealing	IP 67 front element only				
Configurations	Weight (gr)	Dimensions	BWD**	Thread	Coating
680235-001	10.8	Ø24.46mm x 12.78mm	5.8	M24x0.5	HD
680235-002					HC
680235-003	9.9	Ø20.5mm x 13.8mm	3.31	M19x0.5	HD
680235-004					HC

\* The ICD drawing provided here is primarily a representation and may not accurately reflect the product's actual dimensions and specifications. For precise integration specifications contact your local sales representative.

\*\* The BWD value is calculated for a unique detector setup with varying sealing windows in terms of thickness and material. For more details, contact your local sales representative.