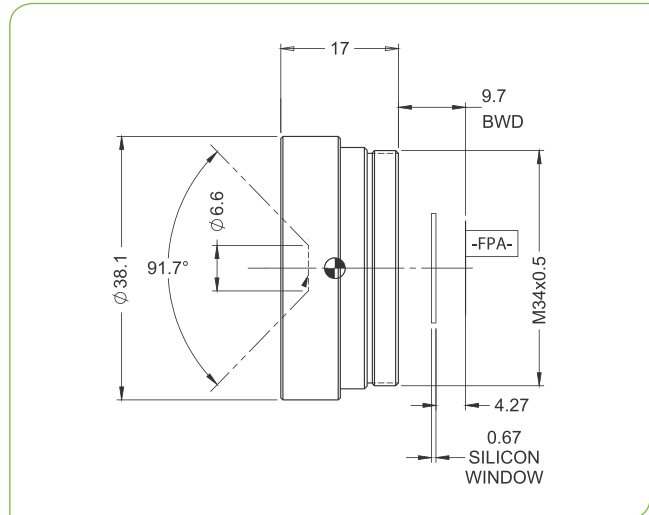


# SupIR 9.0mm f/1.4, Fixed Athermalized 680258

TYPICAL ICD\*



**HD  
FORMAT**



HFOV	320x240	384x288	640x480	1024x768
25μ	51.4°	62.2°		
17μ	34.6°	41.7°	71.2°	
12μ	24.3°	29.2°	49.3°	81.5°

Property	Value				
<b>Optical</b>					
Focal Length	9mm				
F#	1.4				
Average transmission (8-12μm)	94% (HD) / 92% (HC)				
Back Focal Length	12.37mm in air				
<b>Mechanical</b>					
Focus Mechanism	Fixed				
Depth of Field	5m to infinity				
Focus Range	0.5m to infinity				
Weight	35gr				
Max. Dimensions	Ø38.1mm x 17mm				
<b>Environmental</b>					
Operation Temperature	-40°C to +80°C				
Storage Temperature	-50°C to +85°C				
Sealing	IP 67 front element only				
<b>Configurations</b>	<b>Weight (gr)</b>	<b>Dimensions</b>	<b>BWD**</b>	<b>Thread</b>	<b>Coating</b>
680258-003	35	Ø38.1mm x 17mm	9.7	M34x0.5	HD
680258-004					HC

\* The ICD drawing provided here is primarily a representation and may not accurately reflect the product's actual dimensions and specifications. For precise integration specifications contact your local sales representative.

\*\* The BWD value is calculated for a unique detector setup with varying sealing windows in terms of thickness and material. For more details, contact your local sales representative.