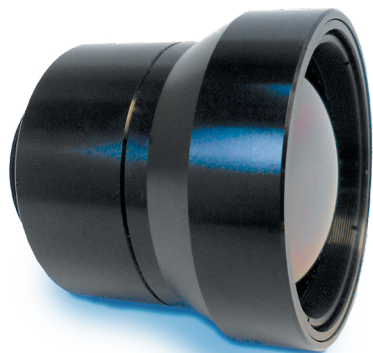


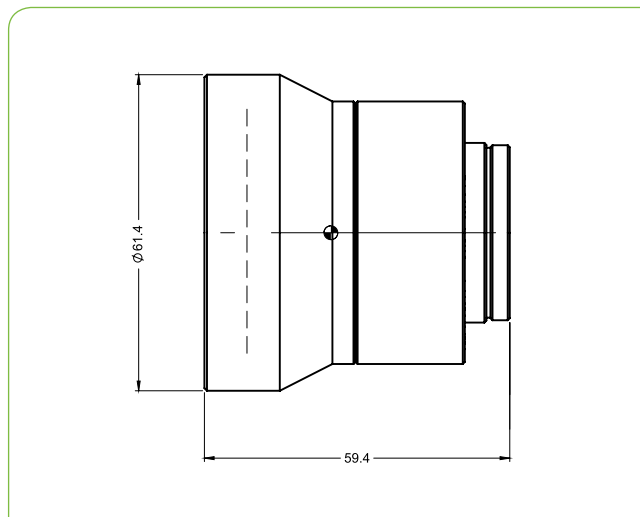
# SupIR 60mm f/1.25, Fixed Athermalized 680260

TYPICAL ICD\*

LWIR | 1-FOV



**HD**  
FORMAT



HFOV	320x240	384x288	640x480	1024x768
25μ	7.6°	9.0°		
17μ	5.2°	6.2°	10.2°	
12μ	3.7°	4.4°	7.3°	11.5°

Property	Value				
<b>Optical</b>					
Focal Length	60mm				
F#	1.25				
Average transmission (8-12μm)	88% (HC)				
Back Focal Length	13.66mm in air				
<b>Mechanical</b>					
Focus Mechanism	Fixed				
Depth of Field	160m to infinity				
Focus Range	2m to infinity				
Weight	227gr				
Max. Dimensions	Ø61.4mm x 59.4mm				
<b>Environmental</b>					
Operation Temperature	-40°C to +80°C				
Storage Temperature	-54°C to +85°C				
Sealing	IP 67 front element only				
<b>Configurations</b>	<b>Weight (gr)</b>	<b>Dimensions</b>	<b>BWD**</b>	<b>Thread</b>	<b>Coating</b>
680260-001	227	Ø61.4mm x 59.4mm	9.56	M34x0.5	HC

\* The ICD drawing provided here is primarily a representation and may not accurately reflect the product's actual dimensions and specifications. For precise integration specifications contact your local sales representative.

\*\* The BWD value is calculated for a unique detector setup with varying sealing windows in terms of thickness and material. For more details, contact your local sales representative.