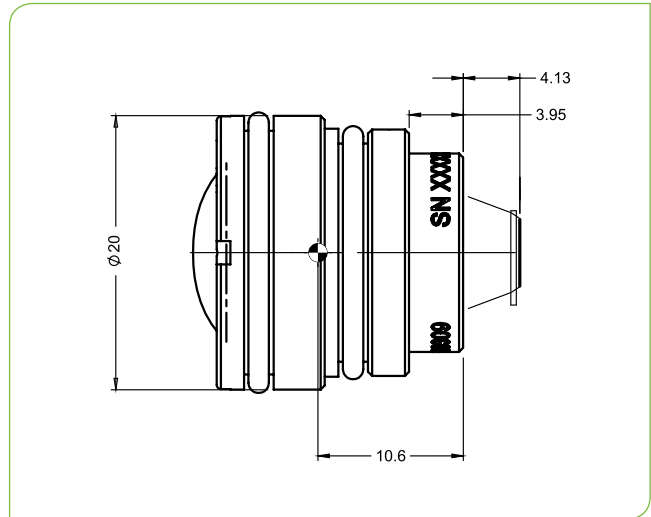


SupIR 2.3mm f/1.0, Fixed Athermalized 680309

TYPICAL ICD*



HFOV	320x240
12μ	91.9°
10μ	76.2°

Property	Value				
Optical					
Focal Length	2.3mm				
F#	1.0				
Average transmission (8-12μm)	93% (HD) / 90% (HC)				
Back Focal Length	5.23mm in air				
Mechanical					
Focus Mechanism	Fixed				
Depth of Field	0.5m to infinity				
Focus Range	0.1m to infinity				
Weight	13.2gr				
Max. Dimensions	Ø20mm x 19.74mm				
Environmental					
Operation Temperature	-40°C to +80°C				
Storage Temperature	-54°C to +85°C				
Sealing	IP 67 front element only				
Configurations	Weight (gr)	Dimensions	BWD**	Thread	Coating
680309-001	13.2	Ø20.0mm x 19.74mm	4.13	M18x0.5	HD
680309-002					HC

* The ICD drawing provided here is primarily a representation and may not accurately reflect the product's actual dimensions and specifications. For precise integration specifications contact your local sales representative.

** The BWD value is calculated for a unique detector setup with varying sealing windows in terms of thickness and material. For more details, contact your local sales representative.