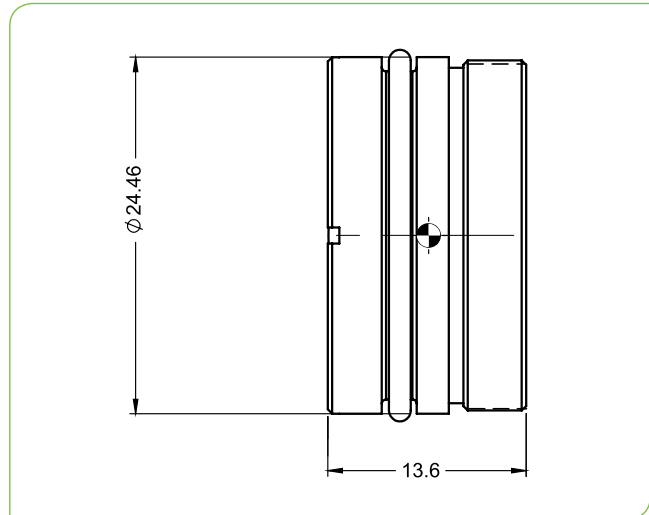


SupIR 19.8mm f/1.2, Fixed Athermalized 680312

TYPICAL ICD*



HFOV	320x240	384x288	640x480
25μ	22.6°		
17μ	15.5°	18.6°	
12μ	11.0°	13.2°	21.7°
10μ			18.2°

Property	Value				
Optical					
Focal Length	19.8mm				
F#	1.2				
Average transmission (8-12μm)	91% (HD) / 90% (HC)				
Back Focal Length	13.45mm in air				
Mechanical					
Focus Mechanism	Fixed				
Depth of Field	20m to infinity				
Focus Range	0.5m to infinity				
Weight	14.9gr				
Max. Dimensions	Ø24.46mm x 13.6mm				
Environmental					
Operation Temperature	-40°C to +80°C				
Storage Temperature	-54°C to +85°C				
Sealing	IP 67 front element only				
Configurations	Weight (gr)	Dimensions	BWD**	Thread	Coating
680312-001	14.9	Ø24.46mm x 13.6mm	13.9	M24x0.5	HD
680312-002					HC

* The ICD drawing provided here is primarily a representation and may not accurately reflect the product's actual dimensions and specifications. For precise integration specifications contact your local sales representative.

** The BWD value is calculated for a unique detector setup with varying sealing windows in terms of thickness and material. For more details, contact your local sales representative.