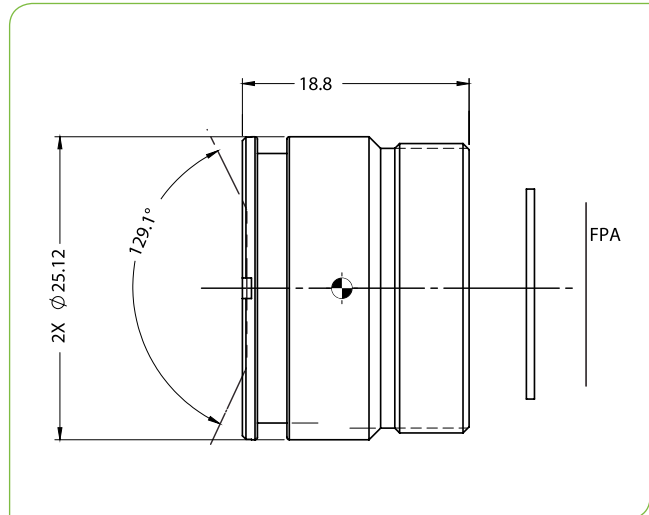


SupIR 7.5mm f/1.2, Fixed Athermalized 680331

TYPICAL ICD*



**HD
FORMAT**



HFOV	320x240	384x288	640x480	1024x768
25μ	63.9°	78.3°		
17μ	42.5°	51.4°	90.9°	
12μ	29.7°	35.8°	61.1°	106.5°

Property	Value				
Optical					
Focal Length	7.5mm				
F#	1.2				
Average transmission (8-12μm)	97% (HD) / 91% (HC)				
Back Focal Length	1.2mm in air				
Mechanical					
Focus Mechanism	Fixed				
Depth of Field	2m to infinity				
Focus Range	0.4m to infinity				
Weight	see configurations table below				
Max. Dimensions	see configurations table below				
Environmental					
Operation Temperature	-40°C to +80°C				
Storage Temperature	-50°C to +85°C				
Sealing	IP 67 front element only				
Configurations	Weight (gr)	Dimensions	BWD**	Thread	Coating
680331-001	24.5	Ø25.12mm x 18.8mm	9.7	M24x0.5	HD
680331-002					LRHC***
680331-005	43.9	Ø34.9mm x 18.8mm		M34x0.5	HD
680331-006					LRHC***

* The ICD drawing provided here is primarily a representation and may not accurately reflect the product's actual dimensions and specifications. For precise integration specifications contact your local sales representative.

** The BWD value is calculated for a unique detector setup with varying sealing windows in terms of thickness and material. For more details, contact your local sales representative.

*** For detailed LRHC coating specifications see page 13