

# SupIR 30-600mm f/4.0\*, Motorized Continuous Zoom 680384 / 680385



**HD**  
FORMAT

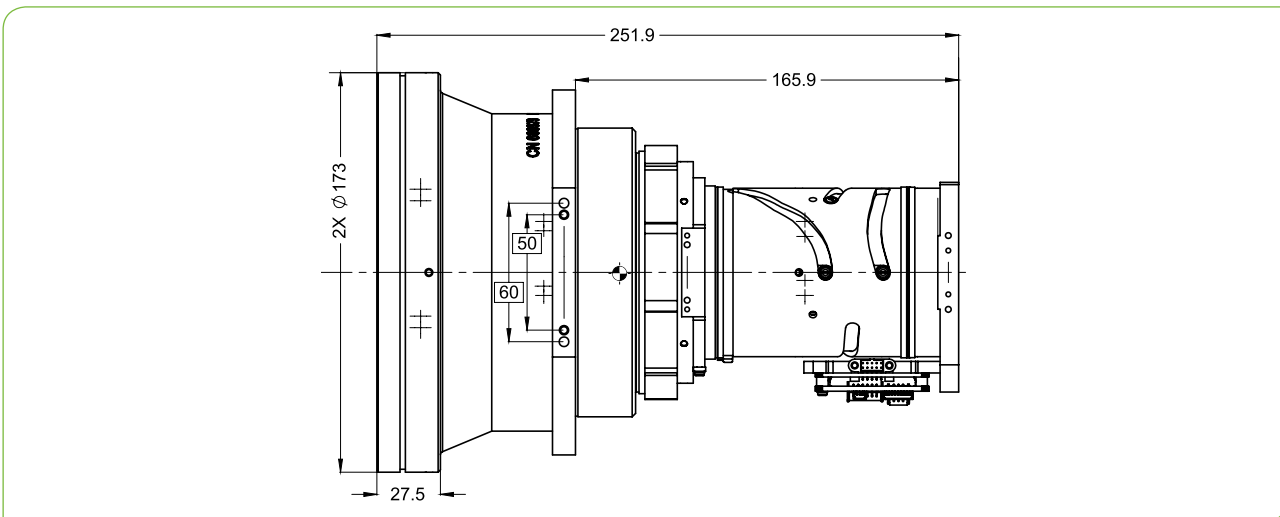
WFOV (30mm)	
HFOV	640x512
15μ	17.2°
10μ	-

WFOV (60mm)	
HFOV	1280X1024
10μ	11.4°

NFOV (600mm)		
HFOV	640x512	1280X1024
15μ	0.9°	
10μ	-	1.2°

Property	Value	
<b>Optical</b>	<b>WFOV</b>	<b>NFOV</b>
Focal Length	30mm	600mm
F/#	4.0	
Average transmission (3.4-5μm)	92% (HD)	
680384	Based on Zoom Lens:	15-300mm f/4 680084
	Cold stop to FPA Distance	19.4mm
	Cold Stop CA	Ø4.85mm
	BFL	23.3mm in air
680385	Based on Zoom Lens:	15-300mm f/4 680204
	Cold stop to FPA Distance	20.47mm
	Cold Stop CA	Ø5.1
	BFL	26.2mm in air
Minimum Focus Range	5m	200m
Nuc (by defocus)	By defocus (blur to 3mm diameter)	
<b>Mechanical</b>		
Focus Mechanism	Motorized	
Focus Time (minimum range to ∞)	≤1 sec.	
Zoom Mechanism	Motorized	
Zoom Time (NFOV to WFOV)	≤7 sec. at -32°C; ≤5 sec. at T ≥ 0°C	
Through-zoom boresight	Within a radius of 0.22 mm at the focal plane along the full zoom range	
<b>Mechanical</b>		
Weight	3.1kg	
Max. Dimensions	Ø173mm x 251.9mm	

\* For 10μm SXGA detectors, the EFL is 60-600mm



MWIR | ZOOM

Property	Value				
<b>Electrical</b>					
Lens Control	Designated lens controller				
Supply Voltage	12V				
Current Consumption	0.5A average, 1.0A peak				
Communication Protocol	RS422				
<b>Environmental</b>					
Operation Temperature	-32°C to +75°C				
Storage Temperature	-54°C to +85°C				
Sealing	IP 67 front element only				
Configurations	Description	FPA	Pixel Pitch	CSH	Coating
680384-001	30-600mm	640x512	15µ	19.4mm	High Durability
680384-002					Low Reflection Hard Carbon**
680384-003					High Durability
680384-004	60-600mm	1280x1024	10µ	20.5mm	Low Reflection Hard Carbon**
680384-005					High Durability Hydrophobic
680384-006					Hard Carbon Hydrophobic
680385-001	30-600mm	640x512	15µ	20.5mm	High Durability
680385-002					Low Reflection Hard Carbon**
680385-003					High Durability
680385-004	60-600mm	1280x1024	10µ	20.5mm	Low Reflection Hard Carbon**
680385-005					High Durability Hydrophobic
680385-006					Hard Carbon Hydrophobic

\* NOTE: The ICD drawing provided here is primarily a representation and may not accurately reflect the product's actual dimensions and specifications. For precise integration specifications contact your local sales representative.

\*\* For detailed LRHC coating specifications see page 13