

SupIR 30-385mm f/5.5, Motorized Continuous Zoom 680459

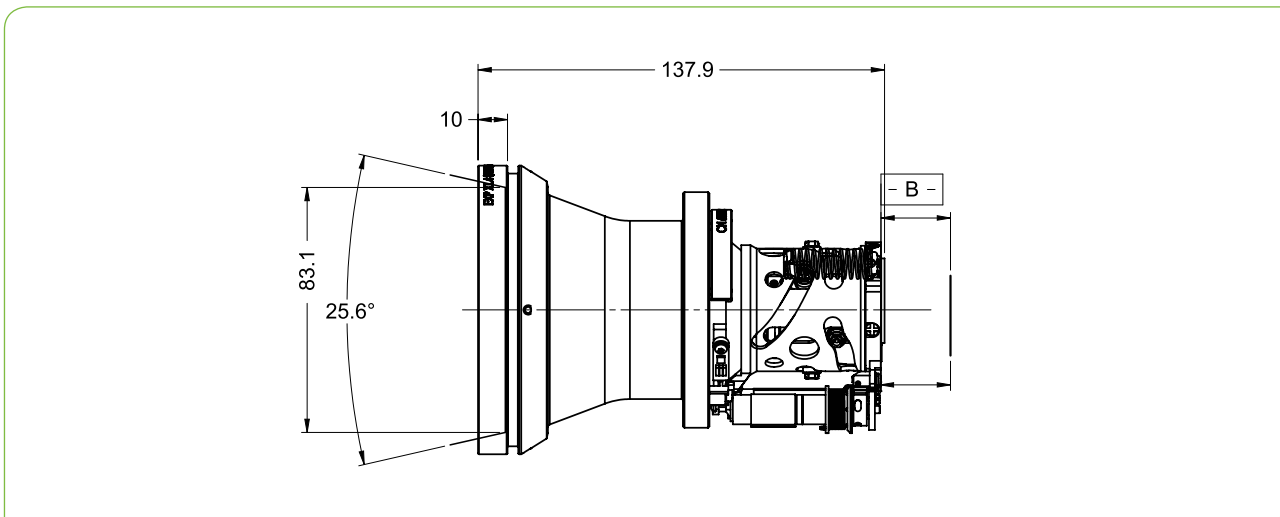
NEW



WFOV(30mm)	
HFOV	640x512
15μ	18.6°

NFOV(385mm)	
HFOV	640x512
15μ	1.4°

Property	Value	
Optical	WFOV	NFOV
Focal Length	30mm	385mm
F/#	5.5	
Average Transmission (3.6-4.9μm)	90% (HD)	
Cold Stop to FPA Distance	19.7mm	
Cold Stop CA	Ø3.52mm	
Back Focal Length	23.7mm in air	
Minimum Focus Range	5m	70m
Nuc (by defocus)	Yes	
Mechanical		
Focus Mechanism	Motorized	
Focus Time (minimum range to ∞)	≤8 sec.	
Zoom Mechanism	Motorized	
Zoom Time (NFOV to WFOV)	≤5 sec.	
Weight	740gr	
Max. Dimensions	Ø98X137.9mm	



MWIR | ZOOM

Property	Value
Electrical	
Lens Control	Designated lens controller
Supply Voltage	12V
Current Consumption	0.5A average, 1.0A peak at T = -32°C; 0.2A average, 1.0A peak at T ≥ 20°C
Communication Protocol	RS485, RS422
Environmental	
Operating Temperature	-32°C to +70°C
Storage Temperature	-54°C to +85°C
Sealing	IP 67 front element only
Configurations	
680459-001	High Durability
680459-002	Low Reflection Hard Carbon**
680459-004	Hard Carbon

* NOTE: The ICD drawing provided here is primarily a representation and may not accurately reflect the product's actual dimensions and specifications. For precise integration specifications contact your local sales representative.

** For detailed LRHC coating specifications see page 13